

**THERMA**SHIELD  
*sales@thermafoam.com*

THERMAFOAM

---

**THERMA**SHIELD

**WEATHER RESISTIVE  
BARRIERS  
CONSTRUCTION MANUAL**

Note: Information deemed reliable at time of printing.  
Please visit [www.thermafoam.com](http://www.thermafoam.com) for the latest information.



# WEATHER RESISTIVE BARRIER CONSTRUCTION MANUAL

When you choose ThermaFoam ThermaShield, you're collaborating with a team of experts who work with you every step of the way. We're here to answer your questions, solve your problems, and do everything we can to make sure your project proceeds smoothly—and ends successfully.

ThermaFoam ThermaShield products are manufactured by ThermaFoam, LLC. ThermaFoam ThermaShield manufacturing facility adhere to strict, consistent standards to ensure high-quality.

This network allows us to offer architects, designers and builders the best of both worlds: the resources of the country's largest provider of ThermaFoam ThermaShield products and systems, and the superior attention and customer service of a local supplier.

**Note:** Information deemed reliable at time of printing. Please visit [www.thermafoam.com](http://www.thermafoam.com) for the latest information. January 2021.

# Table of Contents

## ThermaFoam ThermaShield

---

### Details

Vertical Application: Fastening . . . . .	WRB-101.1
Vertical Application: Taping of Joints . . . . .	WRB-101.2
Horizontal Application: Fastening . . . . .	WRB-101.3
Horizontal Application: Taping of Joints . . . . .	WRB-101.4
Termination at Foundation . . . . .	WRB-102.1
Termination at Soffit . . . . .	WRB-102.2
Wall/Roof Termination . . . . .	WRB-102.3
Wall Penetration . . . . .	WRB-102.4
Window Installation . . . . .	WRB-103.1
Window Sill . . . . .	WRB-103.2
Window Head . . . . .	WRB-103.3
Window Jamb . . . . .	WRB-103.4
Door Head . . . . .	WRB-104.1
Door Jamb . . . . .	WRB-104.2
T&G Joint . . . . .	WRB-105.1

# General Recommendations

---

## **ThermaFoam ThermaShield Sizes**

ThermaFoam ThermaShield is made in fanfold and board configurations in a variety of sizes. Boards are most commonly 4' x 8'. Consult ThermaFoam for sizes, thicknesses, and fabrication services available in your area.

---

## **Environmentally Safe**

The core material for ThermaFoam ThermaShield, ThermaFoam expanded polystyrene, contains no CFCs, HCFCs, HFCs or formaldehyde and is recyclable. ThermaFoam expanded polystyrene is inert, non-nutritive and highly stable. Your ThermaFoam encourages you to support recycling and energy conservation.

---

## **Warranty**

ThermaFoam provide a 50-year warranty covering thermal performance. Contact ThermaFoam for details regarding the warranty program.

---

## **Handling - Storage - Protection**

ThermaFoam ThermaShield should be stored in a fully supported manner and protected from weather. Cover stored ThermaFoam ThermaShield with tarps or similar protective wraps. After installing ThermaFoam ThermaShield, apply wall cladding when immediately practical.

Expanded Polystyrene (EPS) contains a flame retardant additive. However, the EPS should be considered combustible and used with code approved thermal barriers and should not be stored near any open flame or source of ignition. Do not install or use EPS with coal-tar pitch or highly solvent extended mastics, adhesives or sealants. Consult ThermaFoam for suggested adhesives, sealants, and assembly specifications not otherwise detailed in this manual.

## General Recommendations - cont'd

---

### Joins, Penetrations, Fasteners

At ThermaFoam ThermaShield board joints and fastener heads, apply ThermaFoam ThermaShield Tape.

Install termination fixtures as required.

Install flashing for penetrations as required.

---

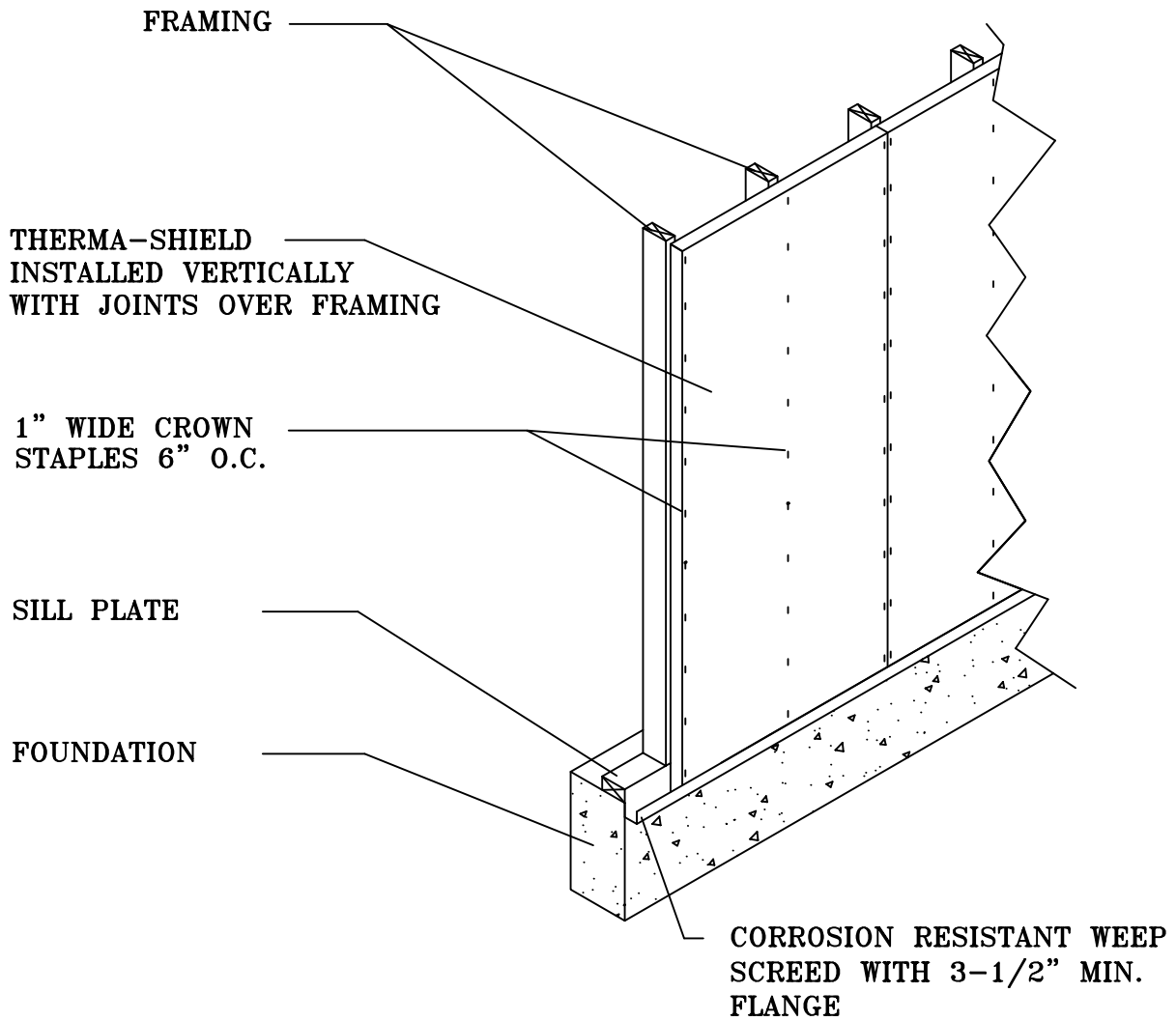
### Special Treatments

Foam plastic insulations have been shown to become termite infested under certain exposure conditions. ThermaFoam ThermaShield with borate is available and provides resistance to termite infestation. Please contact ThermaFoam for availability and complete information.

---

### Disclaimer

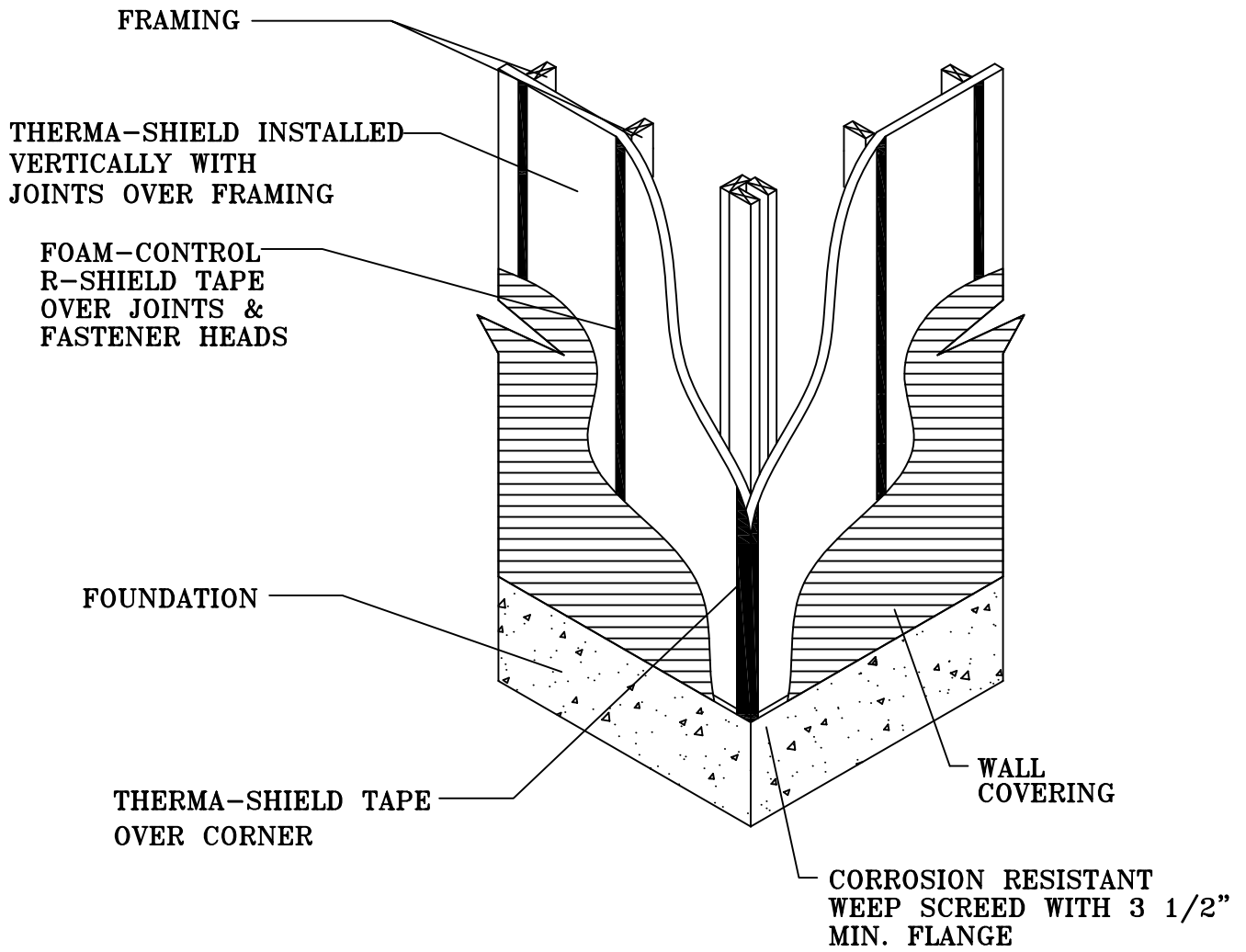
Details, illustrations, pictures and guidelines provided herein give basic information and illustrate examples of ThermaFoam ThermaShield installation. The basic information provide herein is not intended to cover every potential use and application of ThermaFoam ThermaShield. It is the responsibility of the installer to become familiar with his specific application and determine if ThermaFoam ThermaShield is suitable. By commencing work, the installer accepts full responsibility for the proper and safe installation of ThermaFoam ThermaShield at his job site. Adding an insulation component may change the behavior of a wall assembly with regard to air movement, water vapor transmittance, bulk water management and heating, cooling and ventilation systems. It is the responsibility of the owner or the owner's representative to design the insulated wall assembly to perform in a manner ensuring function and durability. Furthermore, it is the sole responsibility of the installer to meet all federal and local regulatory requirements for job site safety for himself, his workers and any others on the job site while in the execution of all phases of ThermaFoam ThermaShield installation.



REV:	DATE:
1	01/21

**THERMA-SHIELD**  
 Vertical Application: Fastening

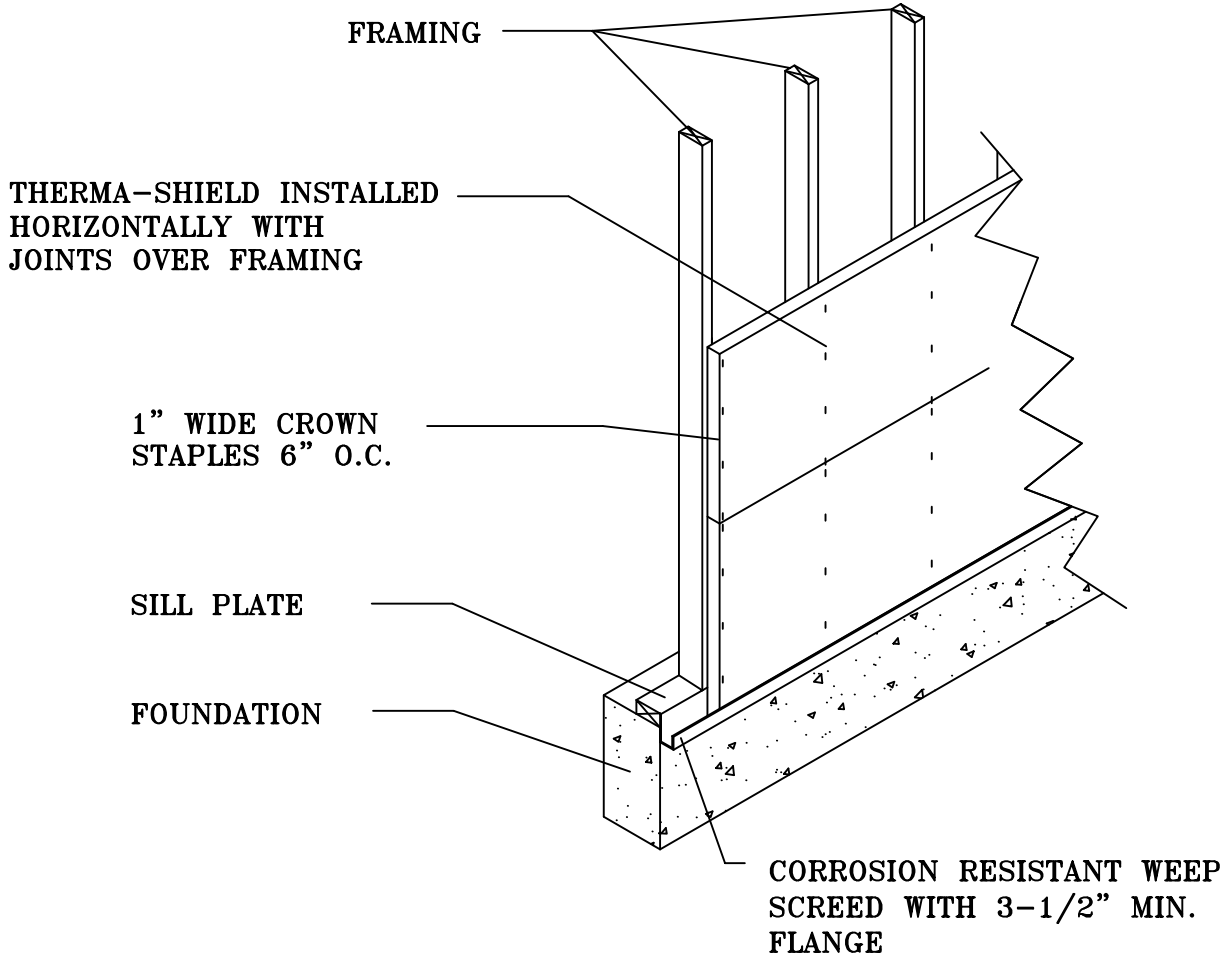
**WRB-101.1**



REV:	DATE:
1	01/21

**THERMA-SHIELD**  
 Vertical Application: Taping of Joints

**WRB-101.2**

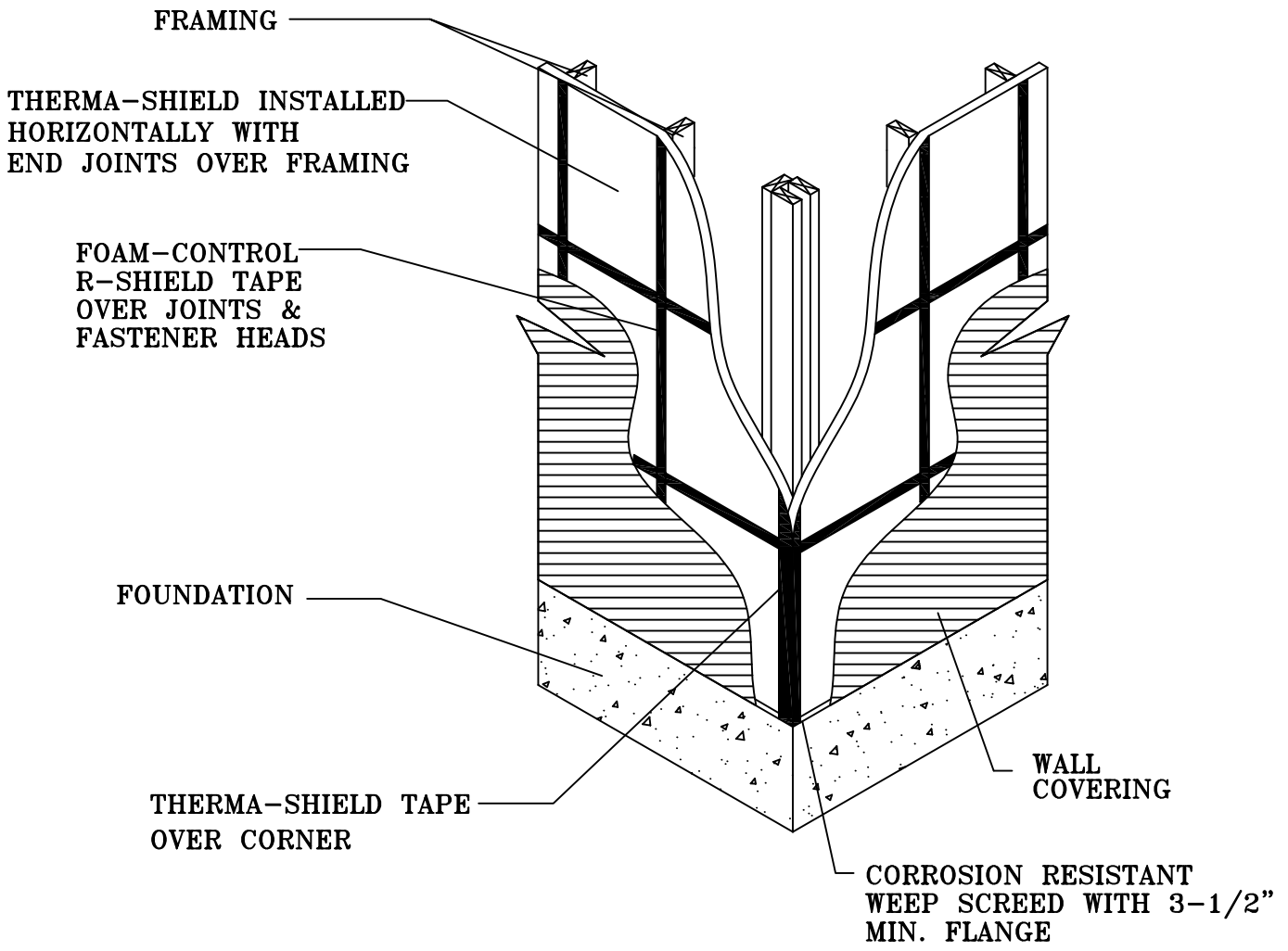


REV:	DATE:
1	01/21

**THERMA-SHIELD**  
 Horizontal Application: Fastening

**WRB-101.3**

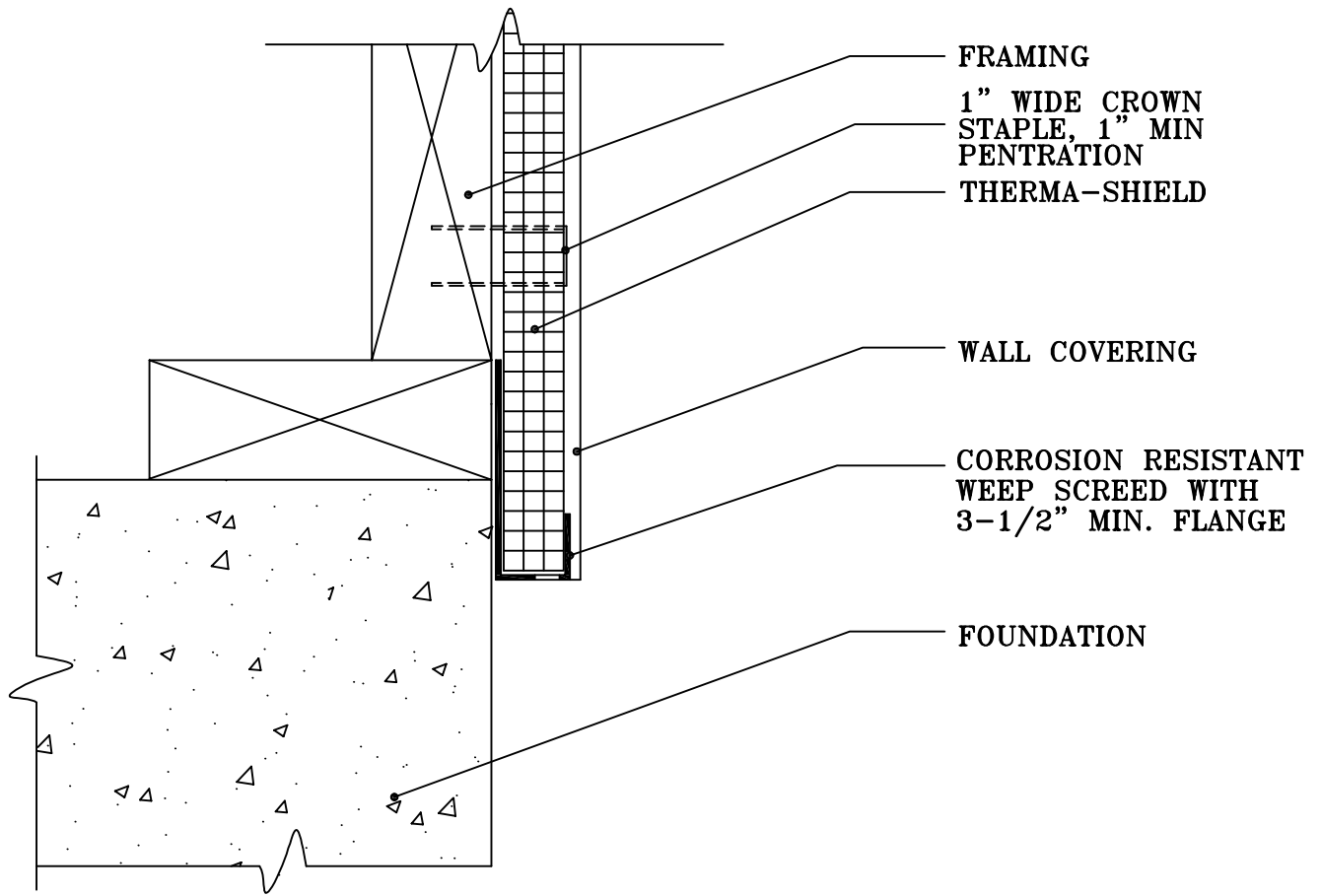




REV:	DATE:
1	01/21

**THERMA-SHIELD**  
 Horizontal Application: Taping of Joints

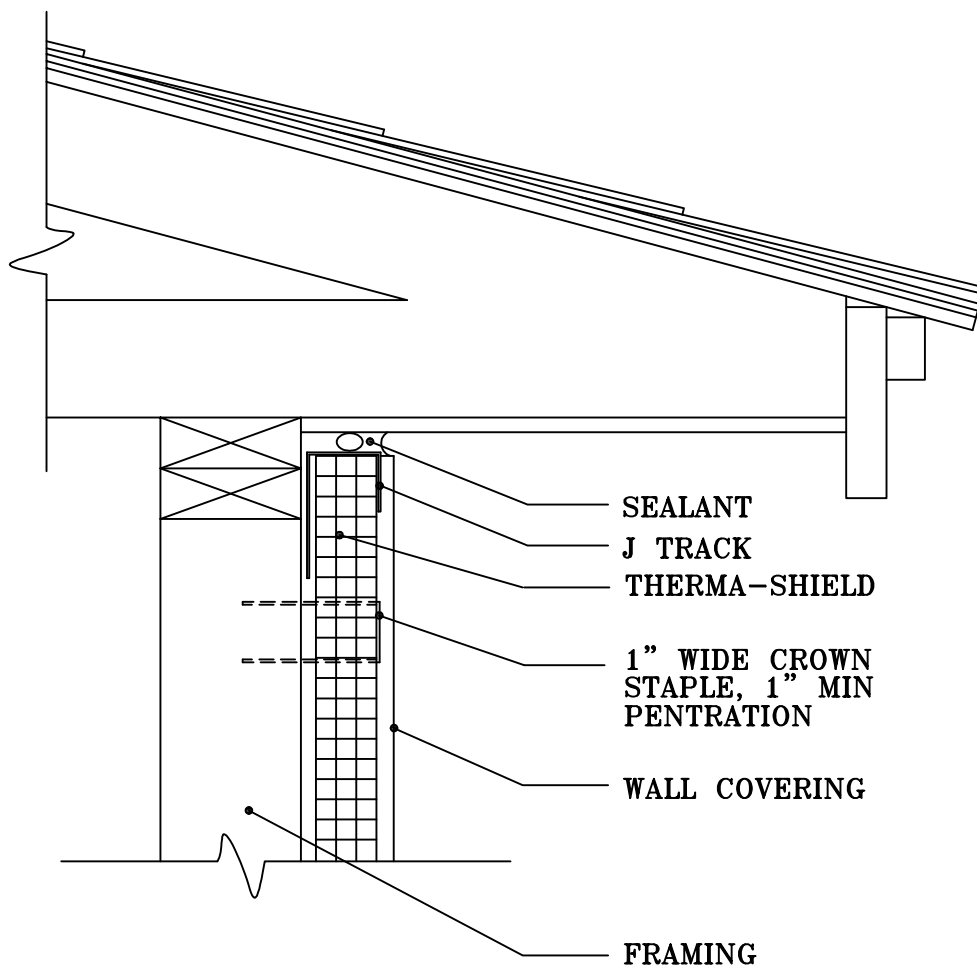
**WRB-101.4**



REV:	DATE:
1	01/21

**THERMA-SHIELD**  
**Termination at Foundation**

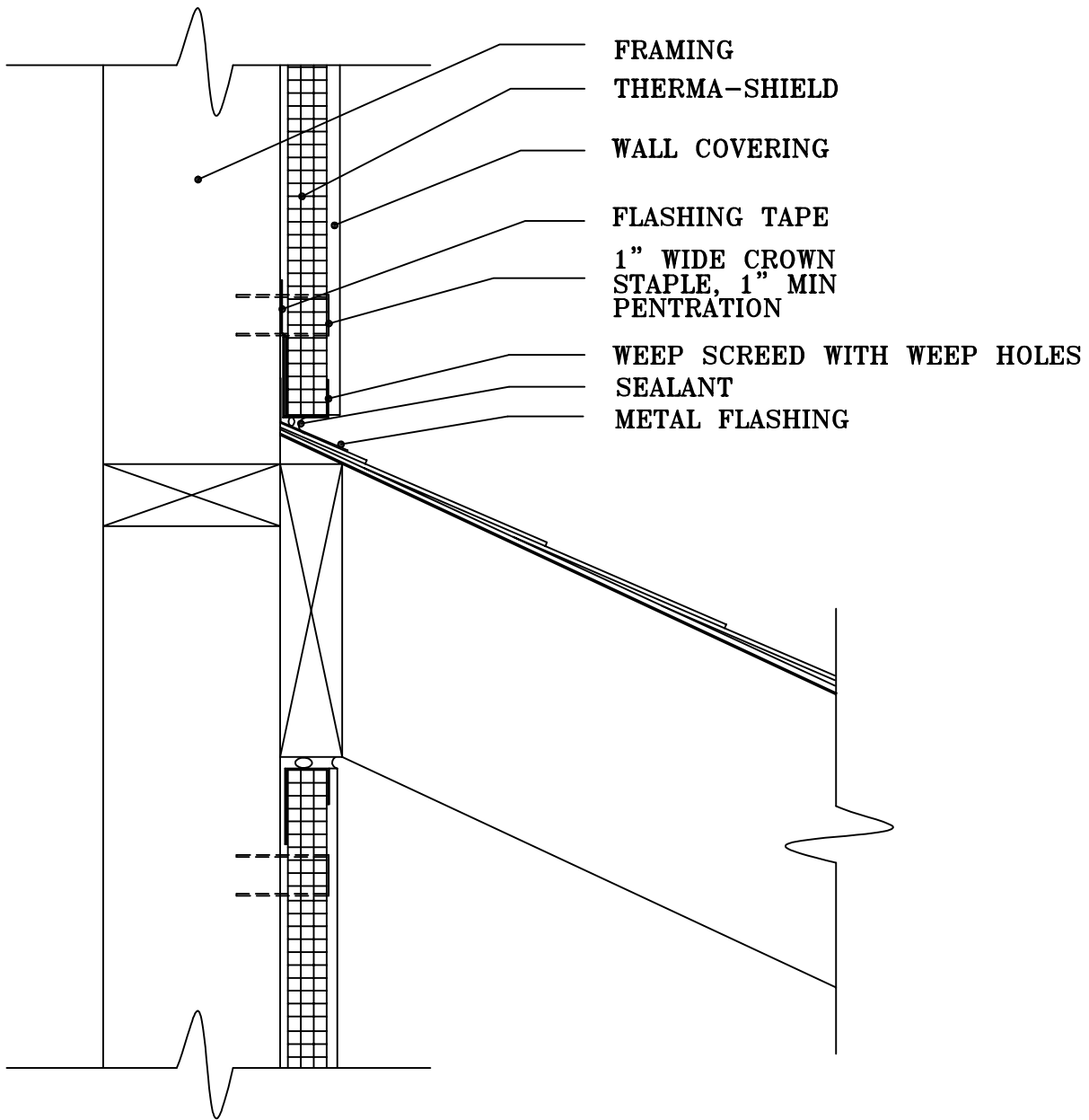
**WRB-102.1**



REV:	DATE:
1	01/21

**THERMA-SHIELD**  
Termination at Soffit

**WRB-102.2**

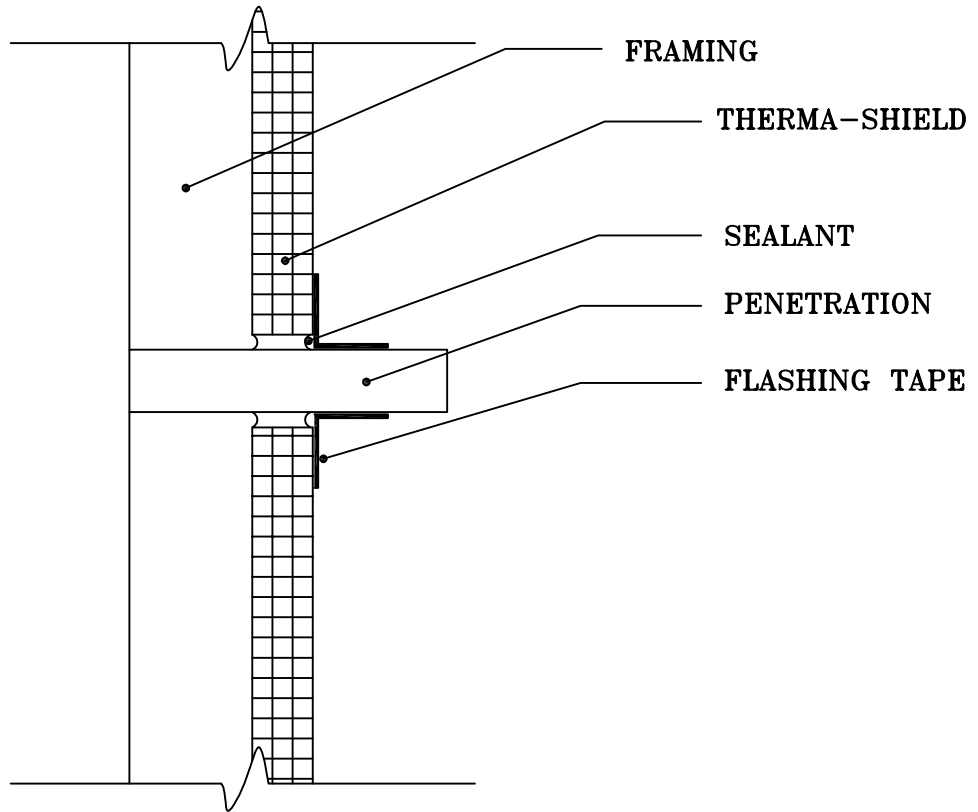


- FRAMING
- THERMA-SHIELD
- WALL COVERING
- FLASHING TAPE
- 1" WIDE CROWN STAPLE, 1" MIN PENTRATION
- WEEP SCREED WITH WEEP HOLES
- SEALANT
- METAL FLASHING

REV:	DATE:
1	01/21

**THERMA-SHIELD**  
**Wall/Roof Termination**

**WRB-102.3**

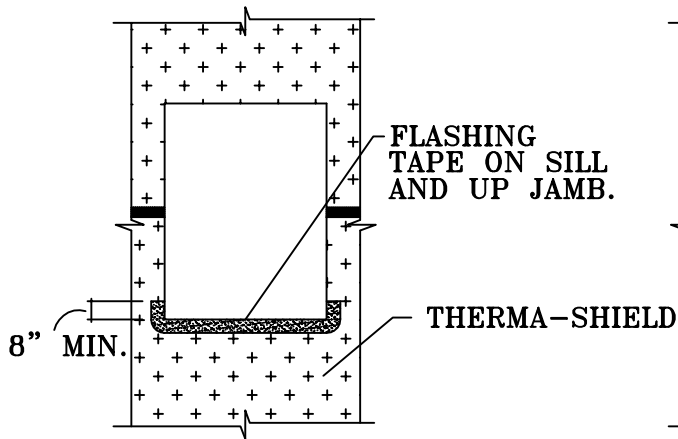


REV:	DATE:
1	01/21

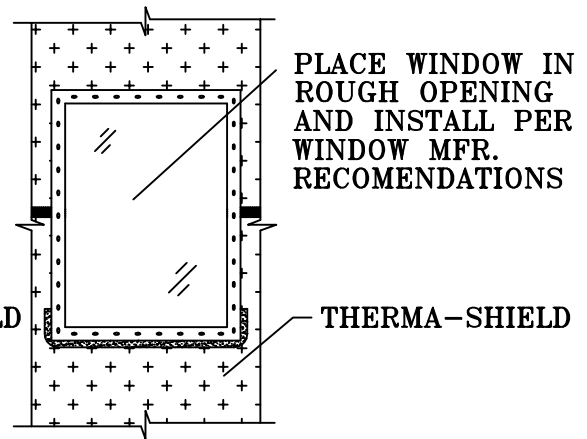
**THERMA-SHIELD**  
 Wall Penetration

**WRB-102.4**

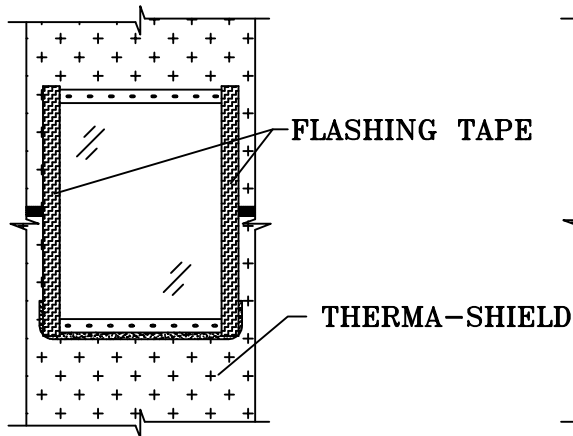
### STEP 1



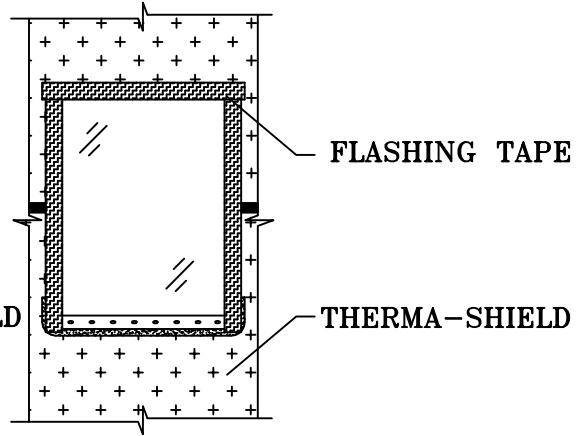
### STEP 2



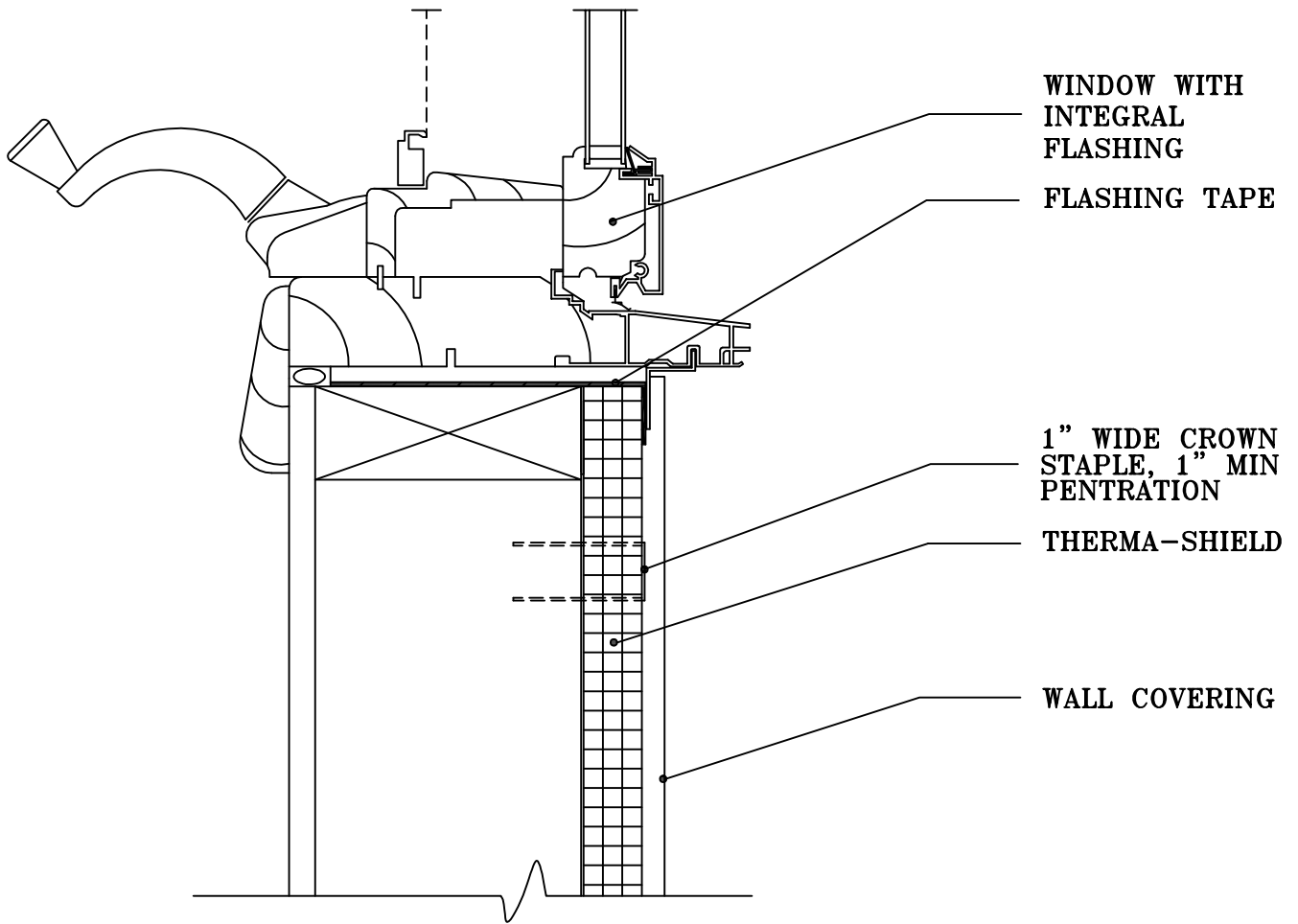
### STEP 3



### STEP 4



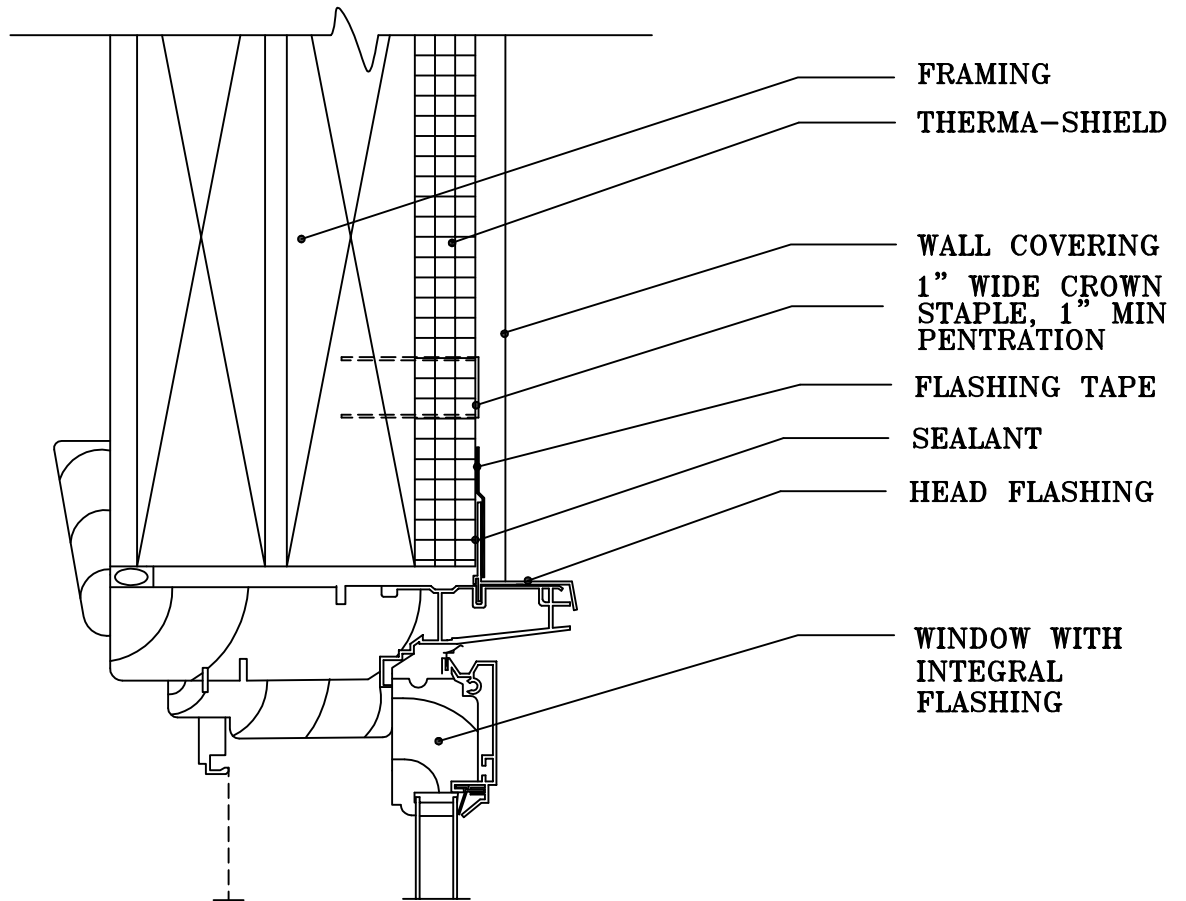
REV:	DATE:
1	01/21



REV:	DATE:
1	01/21

**THERMA-SHIELD**  
 Window Sill

**WRB-103.2**

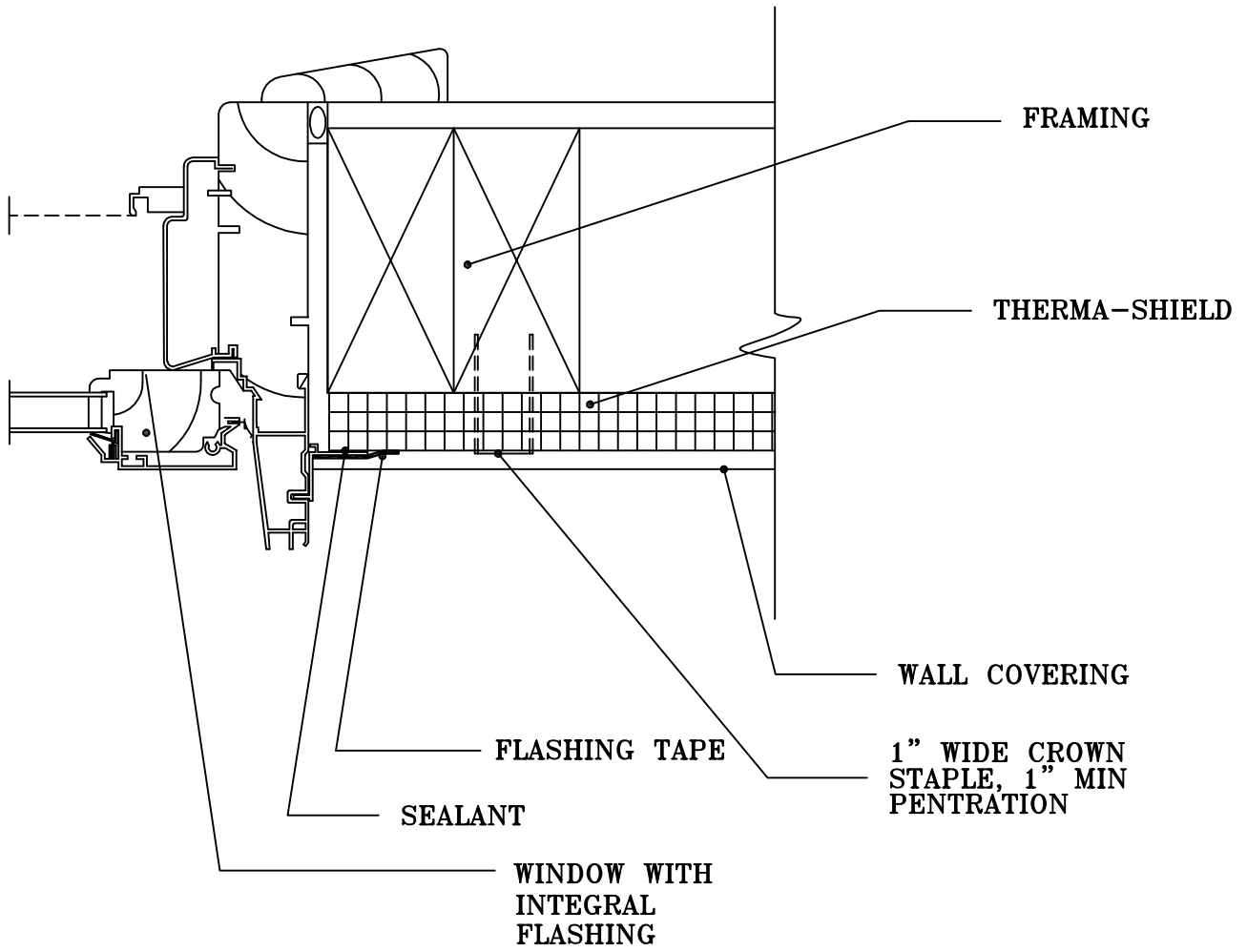


REV:	DATE:
1	01/21

**THERMA-SHIELD**  
Window Head

**WRB-103.3**

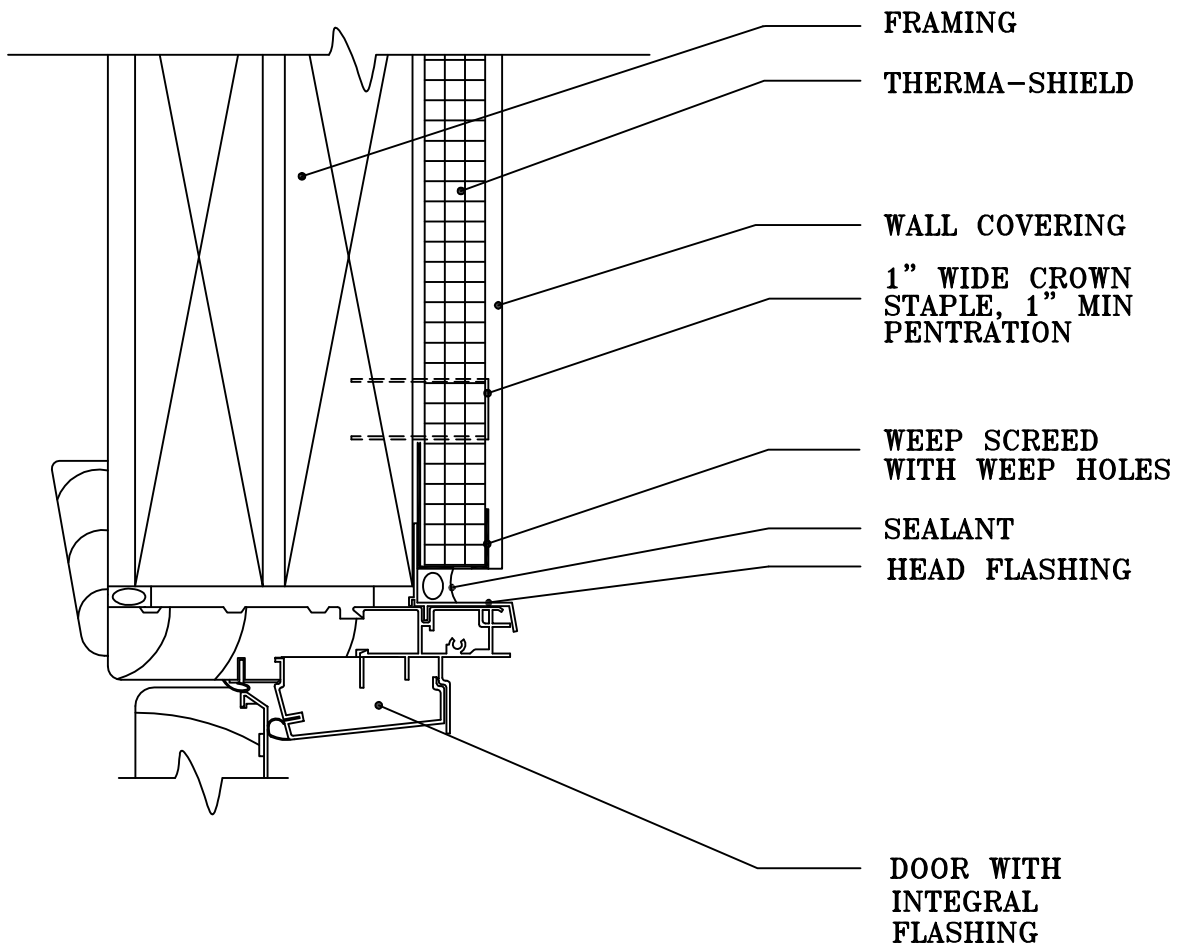




REV:	DATE:
1	01/21

THERMA-SHIELD  
Window Jamb

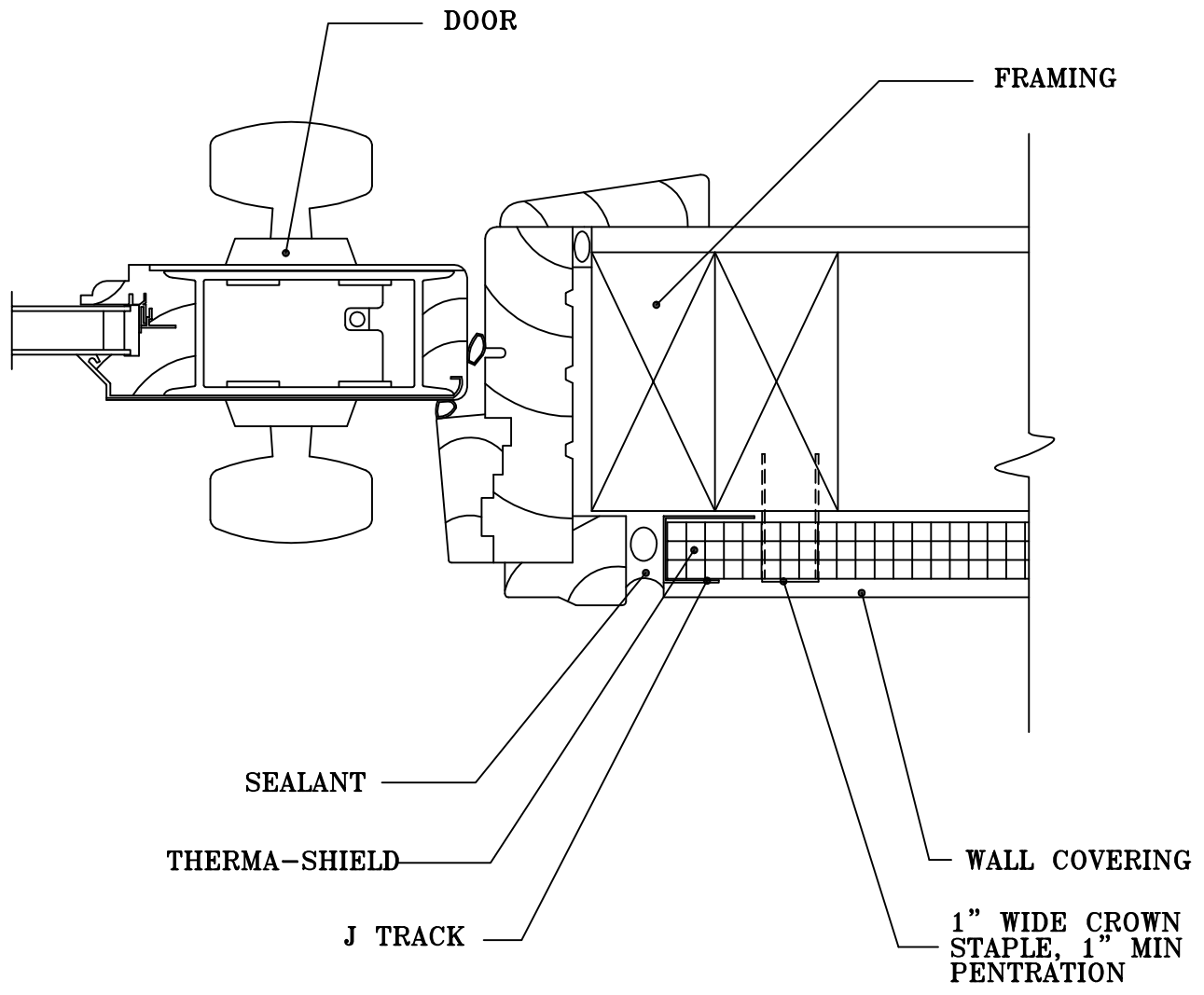
WRB-103.4



REV:	DATE:
1	01/21

**THERMA-SHIELD**  
 Door Head

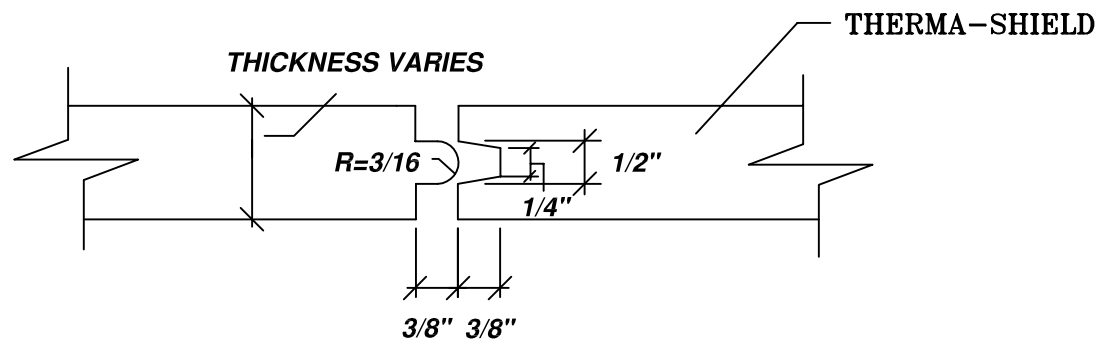
**WRB-104.1**



REV:	DATE:
1	01/21

**THERMA-SHIELD**  
**Door Jamb**

**WRB-104.2**



REV:	DATE:
1	01/21

THERMA-SHIELD  
T&G Joint

WRB-105.1

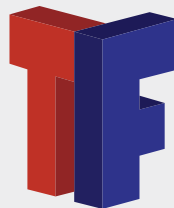
**Product Availability and Support.**

ThermaFoam ThermaShield is supported by a team of experts who work with you to answer your questions, offer solutions, and do everything they can to make sure your project goes smoothly and ends successfully.

**Ready to take control? Start here.**

If you're ready to have ThermaShield contribute to your next project, just contact your ThermaFoam Technical Sales Representative. We will be happy to give you design consultation, information about ThermaShield products, pricing, and answers to all of your questions.

**NEED INFORMATION OR A QUOTE**



***sales@thermafoam.com***  
***www.thermafoam.com***



**1240 Hwy 77**  
**Hillsboro, TX 76645**

**Office: 254-582-2730**  
**Fax: 254-582-2811**